

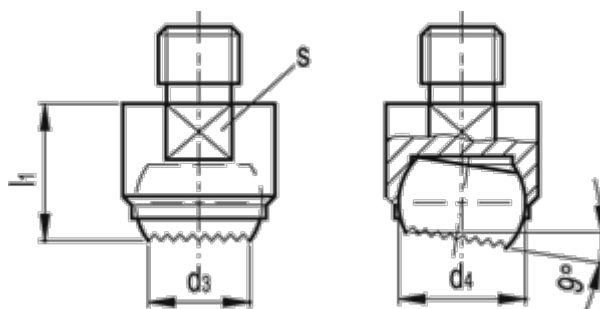
# Data Sheet



Article number: 20252468C

Description: E+G Clamping pad  
GN 709.1-50-M20-R

## Measures



d1	= 50
d2	= M20
d3	= 34.5
d4	= 40
l1 +/-0.1	= 35
l2	= 20
Max static load (KN)	= 165
s	= 41

Weight (g) = 520